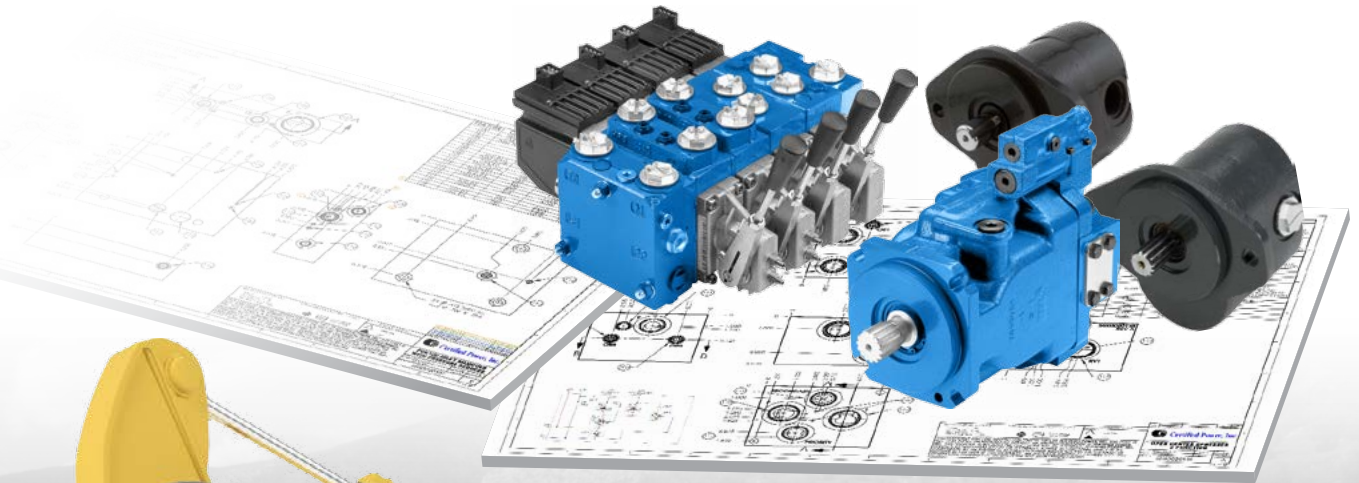
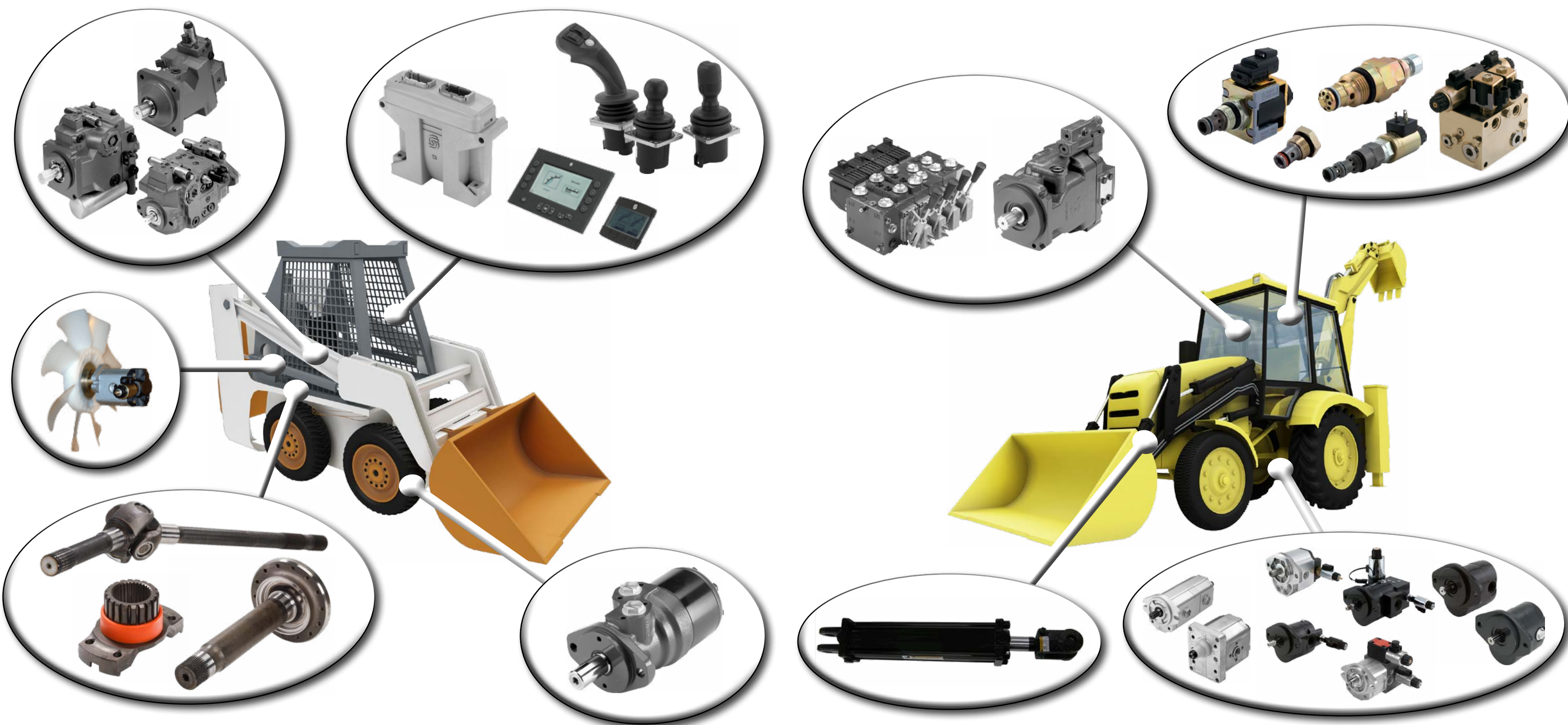


Mobile Drive & Control Systems

Products and Applications for the OEM Market





COMPLETE HYDRAULIC TRACTION SYSTEMS

- HYDROSTATIC PUMPS AND MOTORS
- COMPLETE CONTROL SYSTEMS
- LOW SPEED HIGH TORQUE OR WHEEL MOTORS
- FAN DRIVE SYSTEMS
- OFF THE SHELF OR CUSTOM HYDRAULIC RESERVOIR SOLUTIONS
- DRIVE LINE CAPABILITIES: DRIVE SHAFTS, HUBS, ETC.

ENGINEERED WORK FUNCTION SYSTEMS

- COMPLETE LINE OF GEAR PUMPS AND MOTORS
- LOAD SENSE OR PRESSURE COMPENSATED OPEN CIRCUIT PISTON PUMPS
- A COMPLETE LINE OF CYLINDERS
- CARTRIDGE VALVES
- MANIFOLDS
- LOAD INDEPENDENT SPOOL VALVES AND DIRECTIONAL CONTROL VALVES



STEERING, DISPLAY, & CONTROL SYSTEMS

- COMPLETE LINE OF HYDRAULIC STEERING COMPONENTS
 - MULTIPLE DISPLAY OPTIONS
 - LINE BODY VALVES
 - FULL LINE OF JOYSTICK OPTIONS
- PACKAGED AND CUSTOM CONTROL SOLUTIONS
- HARDWARE AND SOFTWARE PACKAGES DESIGNED TO YOUR SPECIFICATIONS

FAN DRIVE AND OTHER SYSTEMS

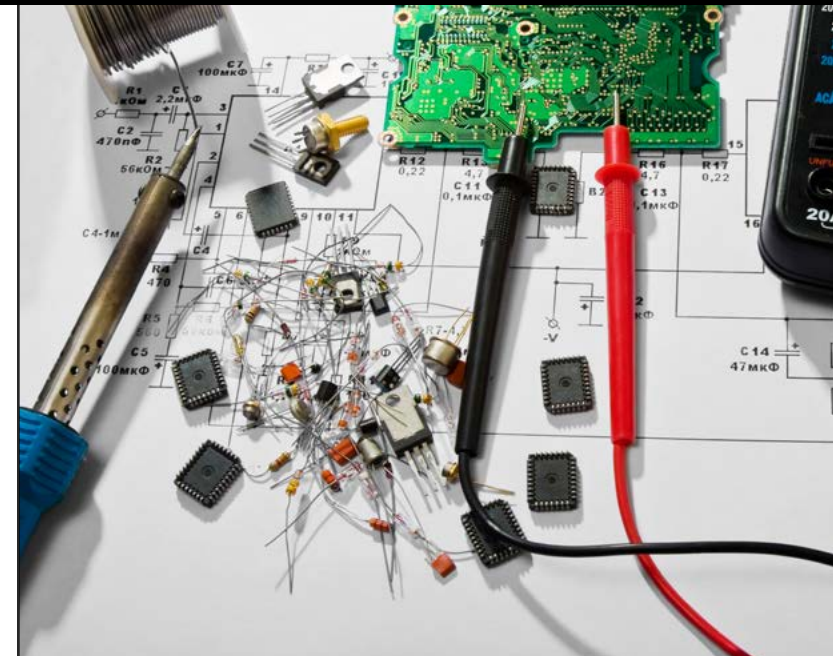
- OFF THE SHELF, SEMI-CUSTOM OR COMPLETELY CUSTOM CAB COMPONENTS
 - SELF CONTAINED POWER UNITS
 - COMPLETE COOLING SYSTEM OPTIONS
 - CUSTOM ELECTRONICS
 - BACK UP CAMERAS AND DISPLAYS
 - FILTRATION PRODUCTS & SYSTEMS



CUSTOM IN-CAB CONTROLS



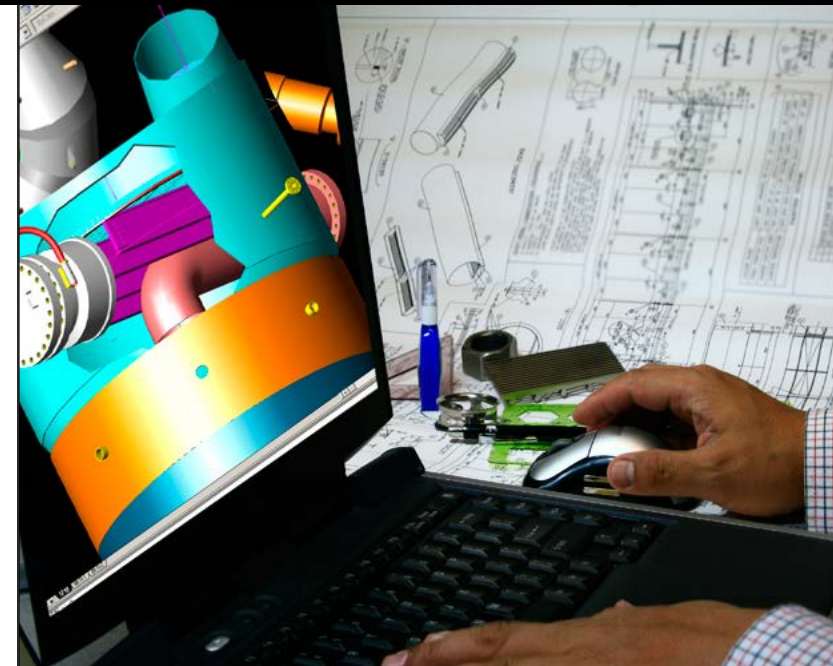
CUSTOM ELECTRONICS



MECHANICAL DESIGN & MANUFACTURING



FULLY ENGINEERED SYSTEMS



LIFT AND LOWERING SYSTEMS

- *LOAD SENSE AND PRESSURE COMPENSATED OPEN CIRCUIT PISTON PUMPS*
 - *COMPLETE LINE OF GEAR PUMPS AND MOTORS*
 - *THE LATEST IN HALL-BALL JOYSTICK TECHNOLOGIES*
- *A COMPLETE LINE OF OFF-THE-SHELF OR CUSTOM RESERVOIR SOLUTIONS*
 - *LIFT AND LOWERING CONTROL MANIFOLDS*
 - *STANDARD OR CUSTOM SOLUTIONS*

ENGINEERING

CERTIFIED POWER IS A DESIGN RESOURCE FOR FULL SYSTEM INTEGRATION, TIER 4 POWER SAVINGS, FUEL SAVINGS, MACHINE PERFORMANCE AND EFFICIENCY.

OUR ENGINEERING AND TECHNICAL SALES STAFF LOOK FORWARD TO COLLABORATING WITH YOU ON YOUR NEXT SYSTEM DEVELOPMENT PROJECT.

Certified Power is a pioneer in the application of hydraulics and controls for the mobile market. Our products include hydraulic systems and components, electronic and CAN bus based controls, custom controls & custom hydraulic integrated circuits. We also specialize in the after market repair, remanufacturing, and service of the products we distribute.

Basin Hydraulic Company
11081 32nd Street SW
Dickinson, ND 58601
Phone: 701-225-8685
Fax: 701-225-8755

Fluid System Components
1700 Suburban Drive
DePere, WI 54115
Phone: 920-337-0234
Fax: 920-337-0577

Driveline Division
390 Koopman Lane
Elkhorn, WI 53121
Phone: 262-723-2944
Fax: 262-723-8593

Fluid System Components
2315 S. 170th Street
New Berlin, WI 53151
Phone: 262-827-2700
Fax: 262-827-2711



Basin Hydraulic Company



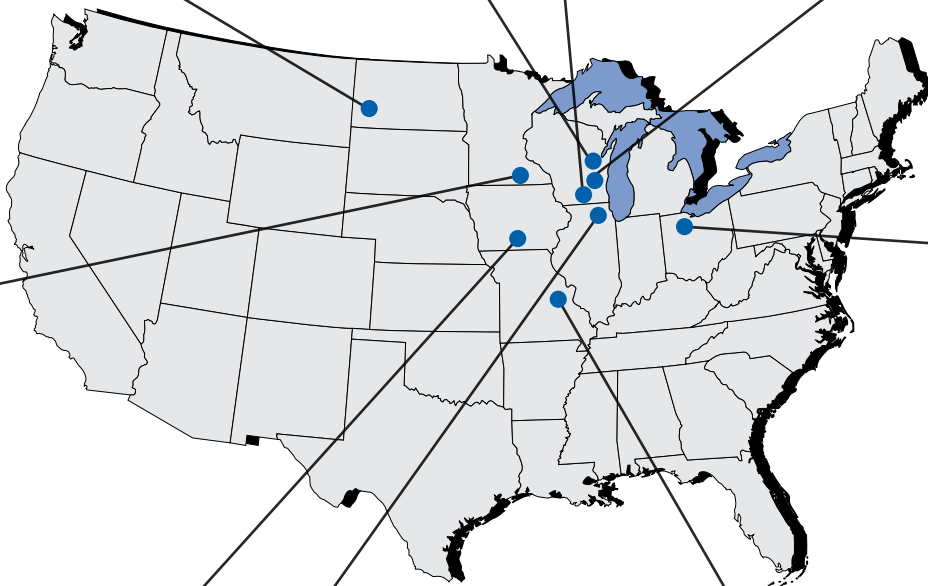
Fluid System Components



Driveline Division



Fluid System Components



Mobile Systems Division



Mobile Systems Division
12117 Riverwood Drive
Burnsville, MN 55337
Toll Free: 800-289-1330
Phone: 952-894-5700
Fax: 952-890-0381
cpi_mn@certifiedpower.com

Mobile Systems Division



Mobile Systems Division
26495 South Point Road, Suite A
Perrysburg, OH 43551
Toll Free: 800-374-7411
Phone: 419-873-7411
Fax: 419-873-8511
cpi_oh@certifiedpower.com

Mobile Systems Division



Mobile Systems Division.
3915 Delaware Avenue, Suite 1
Des Moines, IA 50313
Toll Free: 800-333-7411
Phone: 515-244-7411
Fax: 515-244-4204
cpi_ia@certifiedpower.com

Corporate Headquarters



Corporate Headquarters
970 Campus Drive
Mundelein, IL 60060
Toll Free: 888-905-7411
Phone: 847-573-3818
Fax: 847-573-3836
cpi_il@certifiedpower.com

Mobile Systems Division



Mobile Systems Division
4035 Fee Fee Road
Bridgeton, MO 63044
Toll Free: 800-999-7411
Phone: 314-344-3300
Fax: 314-344-8554
cpi_mo@certifiedpower.com