



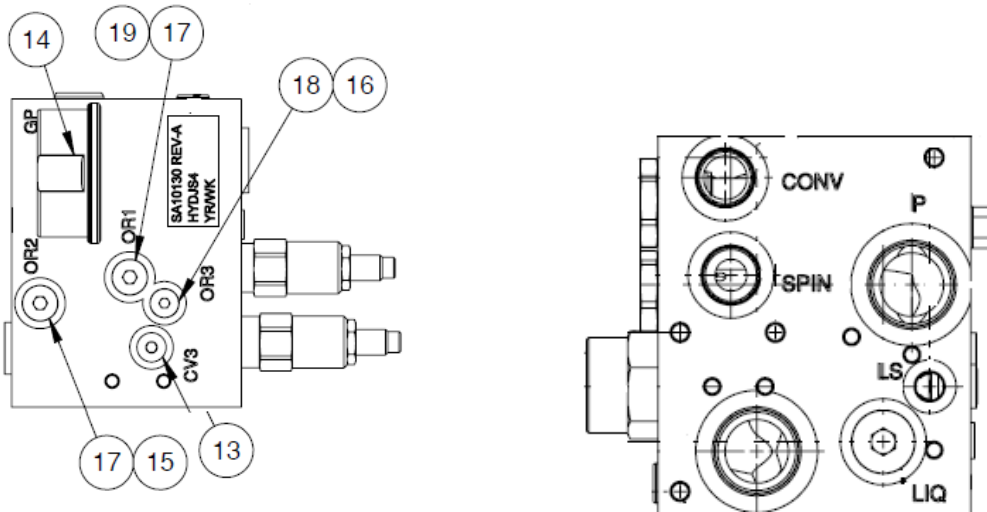
TECH NOTE:	11-011
TITLE:	Converting between Load Sense on PVG Hybrid Spreader block inlet to Open Center.
DATE:	9/29/11
REVISION:	1.0

This document describes how to change a Cirrus Hybrid Inlet Spreader valve for a PVG 32 assembly between being an Load sense circuit to Open center (gear pump) circuit.

B.O.M.

<i>Quantity</i>	<i>Part Number</i>	<i>Description</i>
1	515-04	SAE-4 Plug for Load Sense Port

Converting from Closed Center HYDSS4-SA 101130 (Load Sense) to Open Center HYDSS4-SA10129



1. Remove the (qty 2) SAE-6 plugs (515-06) installed in 'OR1' and 'OR2' locations for SA10130. Beneath these (2) plugs, there will be a 0.03" diameter 1/8 NPT threaded orifice (# OR10032-030) in 'OR1' and a 1/8 NPT threaded plug (# OR10032-000) in 'OR2'. Remove these as well.
2. Re-install the 1/8 NPT threaded plug (OR10032-000) in 'OR1' using Teflon paste on the pipe threads and re-install the 0.03" diameter 1/8 NPT threaded orifice (OR10032-030) in 'OR2' using Teflon paste on the pipe threads. Re-install the (qty 2) SAE-6 plugs (515-06) in 'OR1' and 'OR2' locations to 25 ft-lbs.
3. Install (qty 1) SAE-4 plug (JEM # 515-04) in the 'LS' workport.
4. Change the part label to reflect SA10129