



TECH NOTE:	10-006
TITLE:	Converting between Open center and Load Sense Cirrus Manifold
DATE:	10/11/10
REVISION:	1.1

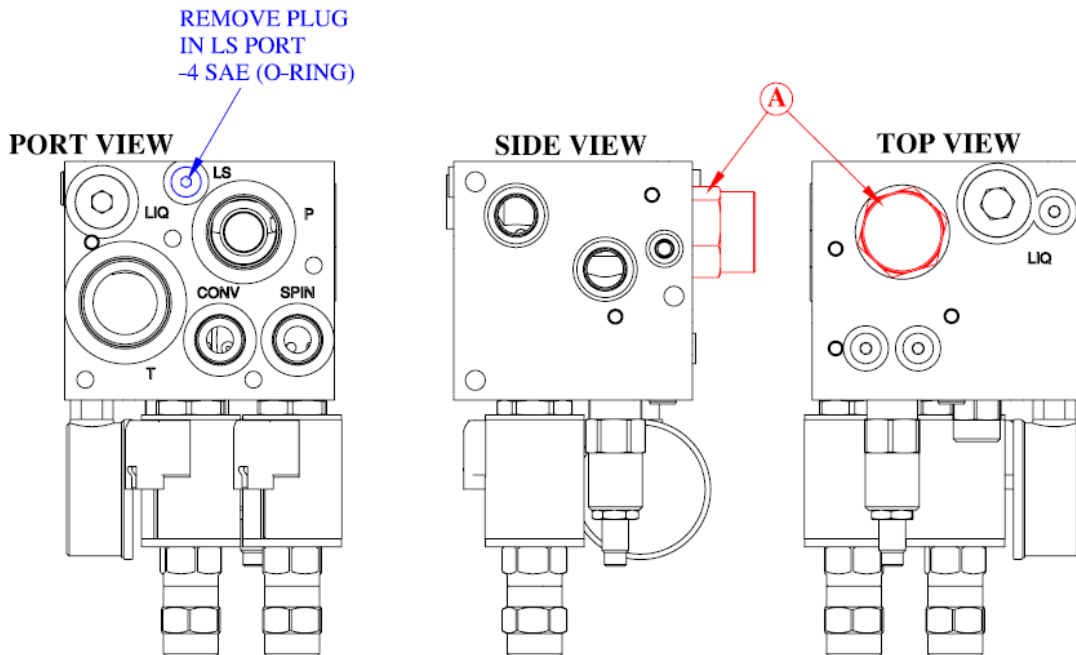
This document describes how to change a Cirrus Manifold valve between being an Open center (gear pump) circuit to a Load sense circuit.

B.O.M.

Item #	Quantity	Part Number	Description
A	1	EP16-S35T-0-N-240	Logic valve (proportional unloader)
B	1	CP16-S30	Cavity plug

Converting from Open Center to Closed Center (Load Sense)

Locate item “A” noted above. This is found on the main inlet block of the hydraulic valve assembly. Please note “landmarks” on valve.



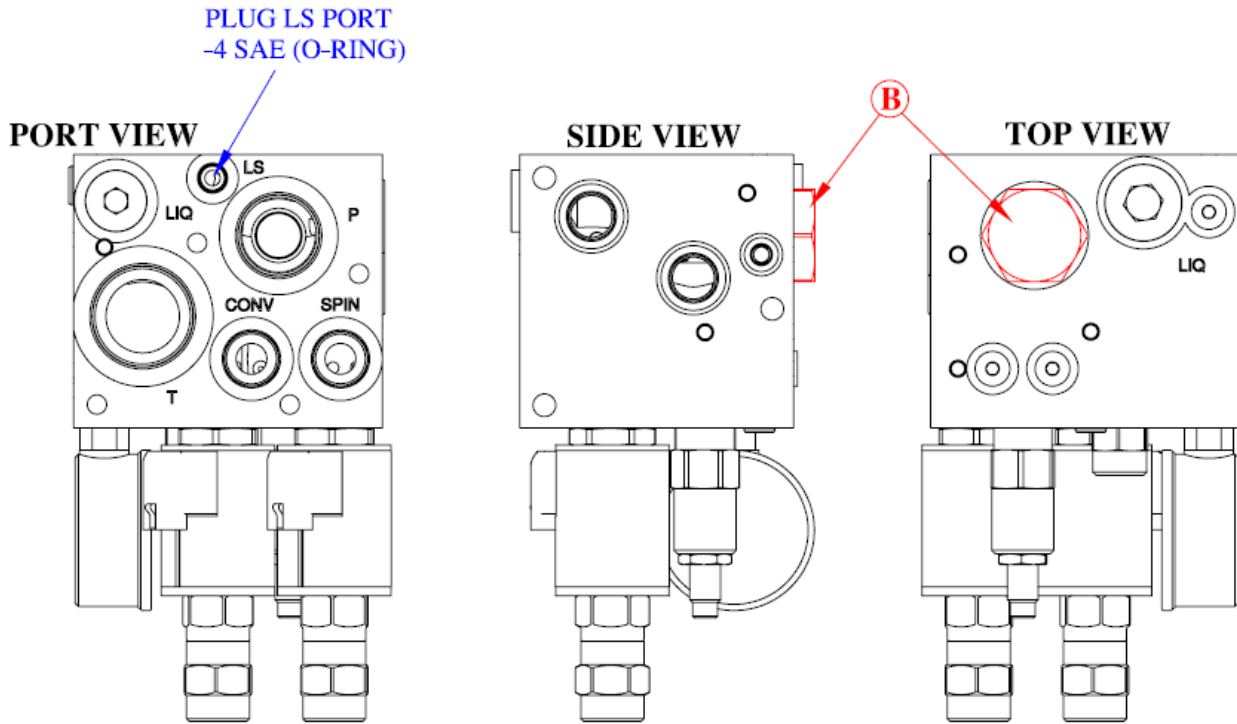
Remove item “A” using a 15/16” deep socket.

Install item “B” in its place. Note: Be sure that item “B” slides into the manifold easily and is not bound. Hand thread until snug. Tighten with 15/16” socket to 50 ft lbs.

See Page 2 for inverse circuit

Converting from Closed Center (Load Sense) to Open Center

Locate item “B” noted above. This is found on the main inlet block of the hydraulic valve assembly. Please note “landmarks” on valve.



Remove item “B” using a 15/16” socket.

Install item “A” in its place. Note: Be sure that item “A” slides into the manifold easily and is not bound. Hand thread until snug. Tighten with 15/16” deep socket to 50 ft lbs.
